

Pooling Station 85

Commission Order: RP01-245-031 Changes
Effective 10/1/2010

The Commission's Order

- On July 15, 2010 The Federal Energy Regulatory Commission issued a final order on Pooling Station 85.
- As directed in the July 15, Order, Transco is establishing two pools at Station 85:
 - Pooling Station 85 Zone 4 (Zone 4 Pool)
 - Will pool gas received on Transco's mainline and from third-party pipeline interconnects at Station 85.
 - Pooling Station 85 Zone 4A (Zone 4A Pool)
 - Will pool gas received on the Mobile Bay Lateral and from third-party pipeline interconnects at Station 85.

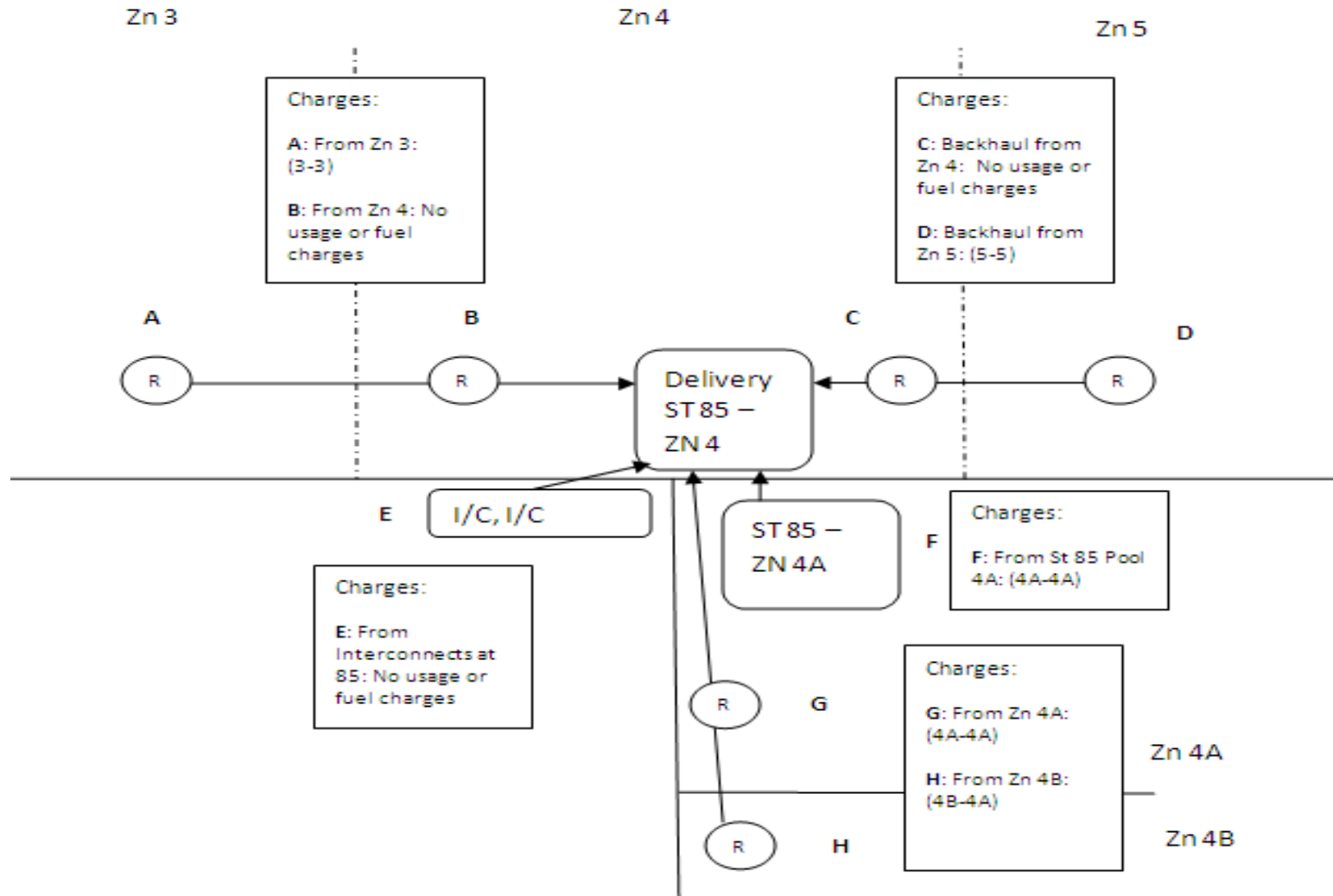
Usage and Fuel changes

- As a result of the split of the existing Station 85 Pool into two pools, usage and fuel charges are impacted as follows:
 - Zone 4 fuel and usage charges will NOT be assessed on transportation INTO the Zone 4 Pool. Rather, the Zone 4 fuel and usage charge WILL be assessed on WITHDRAWALS from the Zone 4 Pool.
 - The Zone 4A fuel and usage charges will NOT be assessed on transportation INTO the Zone 4A Pool. Rather, the Zone 4A fuel and usage charges WILL be assessed on WITHDRAWALS from the Zone 4A Pool.

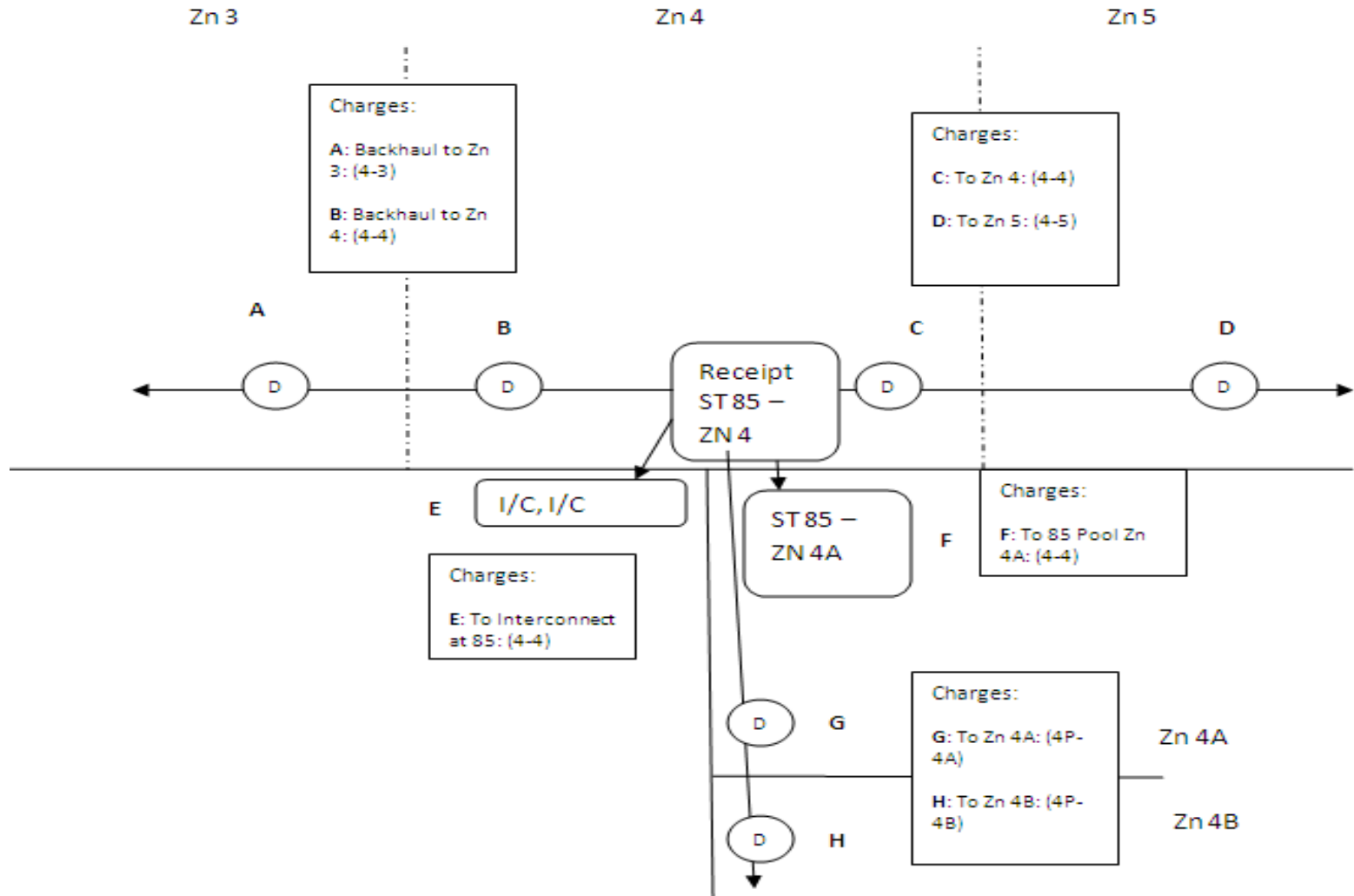
Mainline transactions from Zone 4A Pool and Mobile Bay transactions from Zone 4 Pool

- Quantities pooled at the Zone 4A Pool delivered in a zone other than Zone 4A or Zone 4B will be assessed, as a component of the total commodity charges and fuel retention applicable to such deliveries, the Zone 4A to Zone 4A commodity charges and fuel retention.
- Quantities pooled at the Zone 4 Pool delivered in Zone 4A or Zone 4B will be assessed, as a component of the total commodity charges and fuel retention applicable to such deliveries, the Zone 4 to Zone 4 commodity charges and fuel retention.

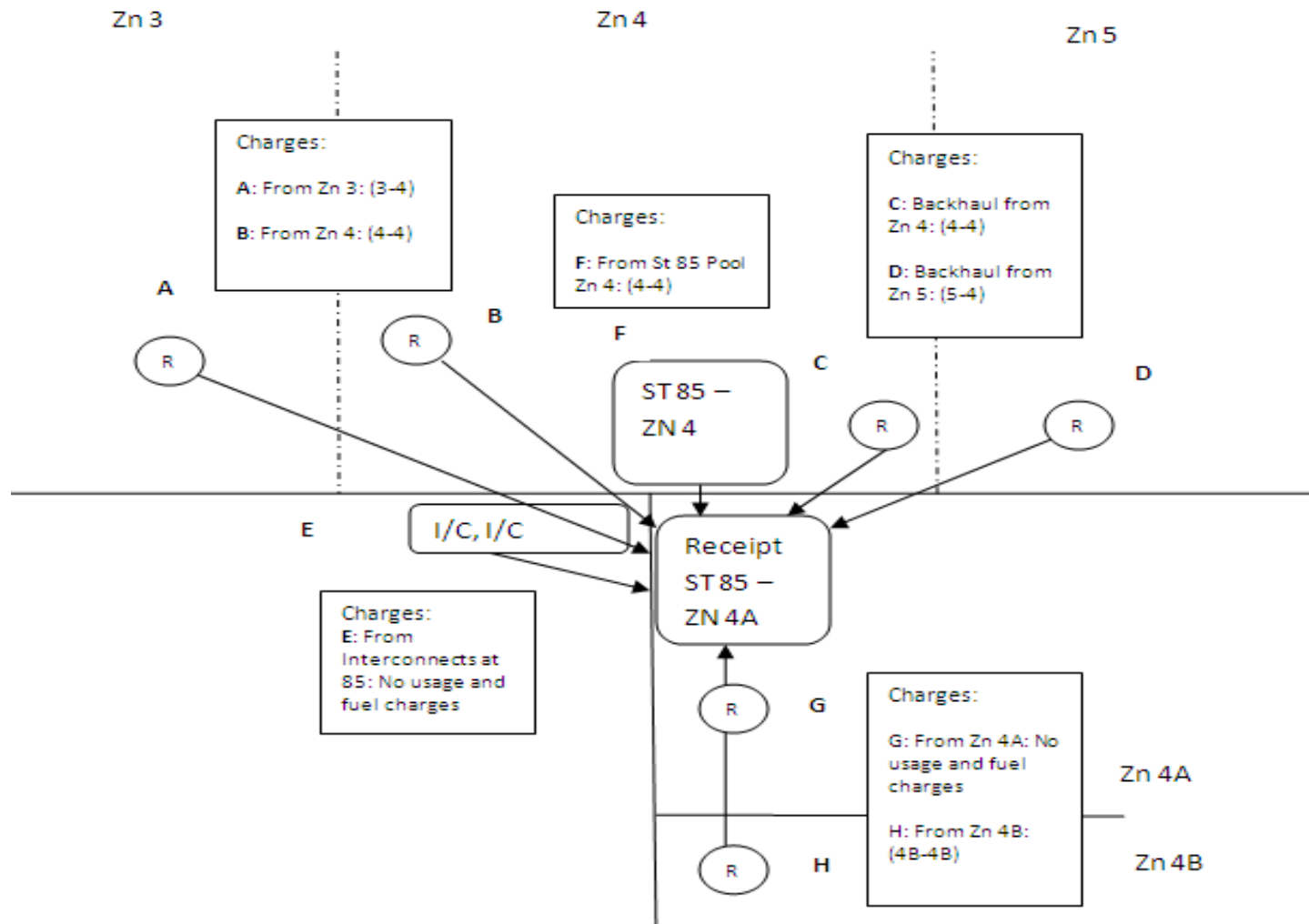
Usage and Fuel charges INTO Zone 4 POOL



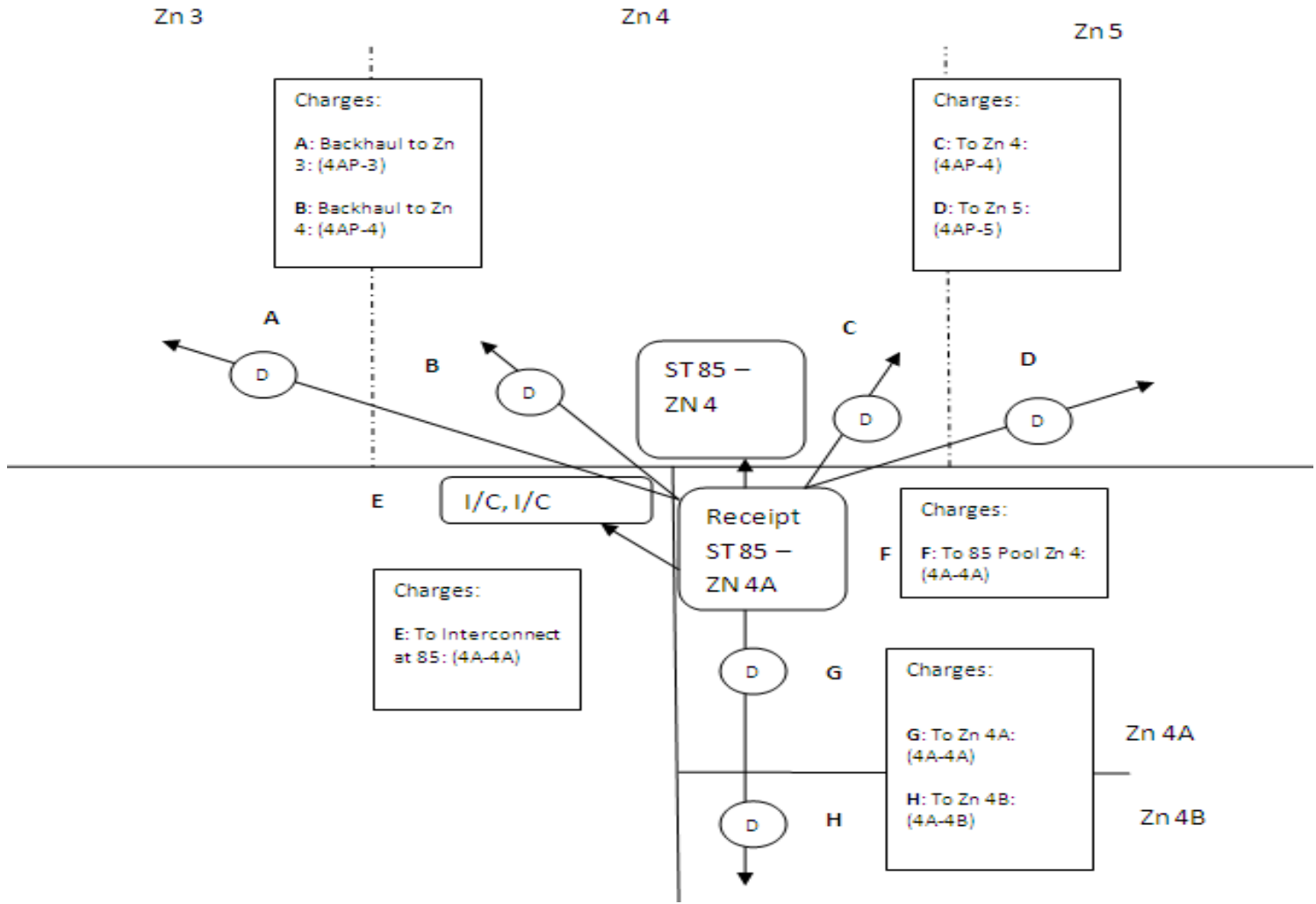
Usage and Fuel charges OUT of Zone 4 POOL



Usage and Fuel charges INTO Zone 4A POOL



Usage and Fuel charges OUT of Zone 4A POOL



Changes to 1Line

- On the morning of 9/23, the following will be available for nomination of gas day 10/01/2010:
 - New locations:
 - 9005542 Pooling Station 85 Zn 4A
 - 9005543 Park & Loan St 85 Zn 4A
 - Name change to existing locations:
 - 1000105 Pooling Station 85 **Zn 4**
 - 1000106 Park & Loan St 85 **Zn 4**
 - Beginning 10/1/2010, mainline contracts will also be allowed to deliver to and withdrawal from the Zone 4A Pool and will be assessed the appropriate zone charges. Withdrawal charges are indicated with a “4AP” to mainline delivery zone in the rate component to represent the 4A-4A charge out of the Zone 4A Pool.
 - Beginning 10/1/2010, Mobile Bay contracts will also be allowed to deliver to and withdrawal from the Zone 4 Pool and will be assessed the appropriate zone charges. Withdrawal charges are indicated with a “4P” to Mobile Bay delivery zone in the rate component to represent the 4-4 charge out of the Zone 4 Pool.
 - **Shippers will continue to use Location 1000105 to represent both Zn 4 and Zn 4A until 10/1/2010.**
 - For Gas Flow Day 10/1/2010 begin using the new Pool location setups.
 - The Rates Calculator can be used to determine what charges apply to each pool.